



Functional Devices, Inc.  
 310 South Union Street  
 Russiaville, IN 46979

Office: (765) 883-5538  
 Sales: (800) 888-5538  
 Fax: (765) 883-7505

Manufacturing quality products in the United States of America since 1969

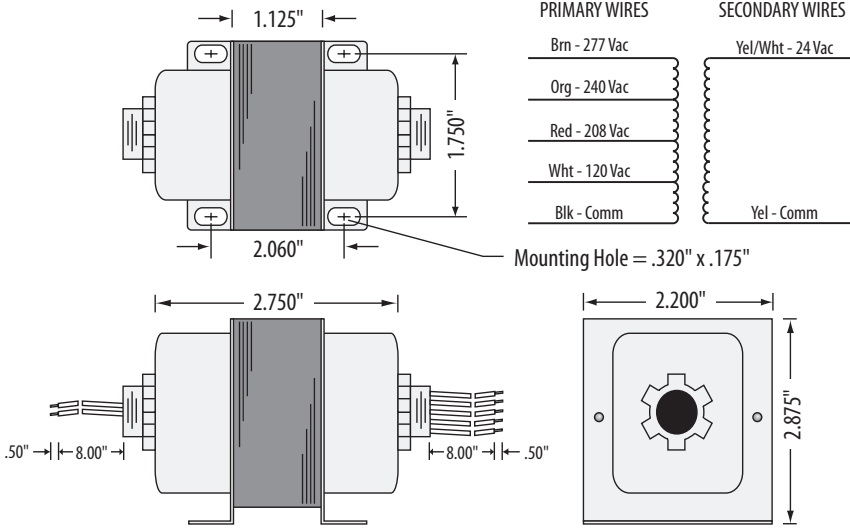
**TR40VA004**

**Transformer 40 VA, 277/240/208/120 to 24 Vac, Foot and Dual Threaded Hub Mount**



Functional Devices, Inc. A600D 2006

- VA Rating:** 40
- Frequency:** 50/60 Hz
- Mounting:** Foot & Dual Threaded Hub
- Over Current Protection:** Inherently Limited
- Dimensions:** 2.875" x 2.200" x 2.700"  
(w/ .500" NPT Hubs)
- Wire Length:** 8" typical w/ .5" Strip
- Operating Temperature:** -30 to 140° F
- MTBF:** 100,000 Hours @ 77° F
- Construction:** Split-Bobbin
- Weight:** 2.02 lbs.
- Approvals:** Class II UL1585 Listed, C-UL, CE



**NOTES**